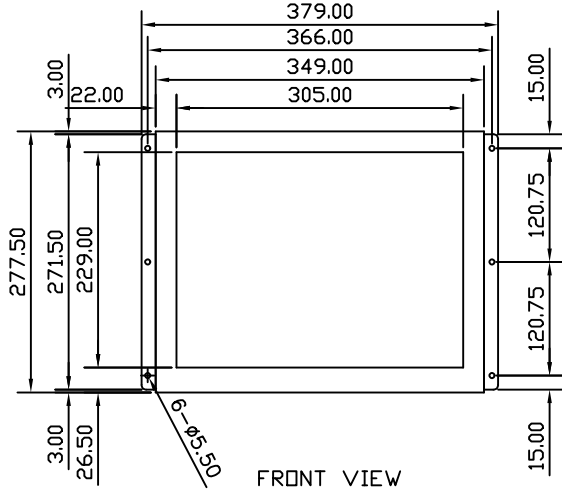
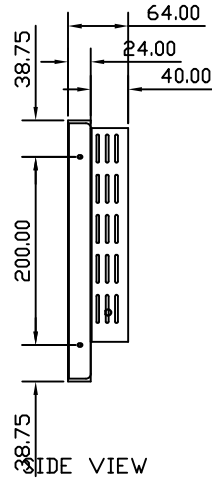


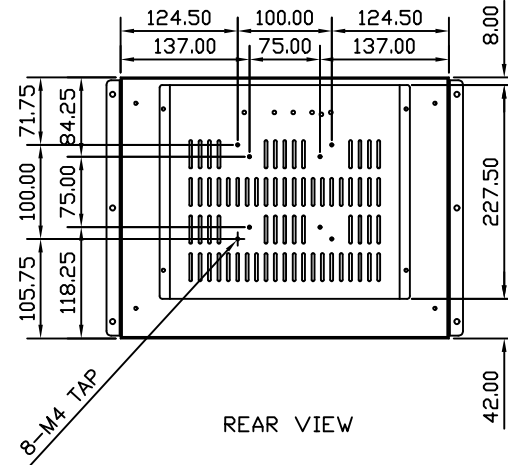
TOP VIEW



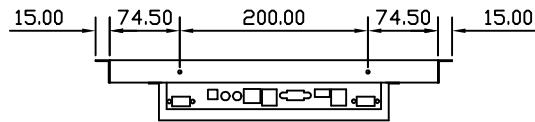
FRONT VIEW



SIDE VIEW



REAR VIEW



BOTTOM VIEW

SPECIFICATION

DIMENSION	349mm*277.5mm*64mm
THICKNESS	
MATERIAL	STEEL
PAINTING	BLACK

CUSTOMER



KOREA COMPUTER
& COMMUNICATION

						PROJECT IDVLV2-150					
						REV.	SCALE	SHEET NO.	TITLE	IDVLV2-150 ASSY	
						0	1:1	01/01	DRAWING NO.	IDVLV2-X-150-X	SIZE : A4
△		20240517	-	-	-						
NO.	DATE	DESCRIPTION	DRN	CK	APPR						