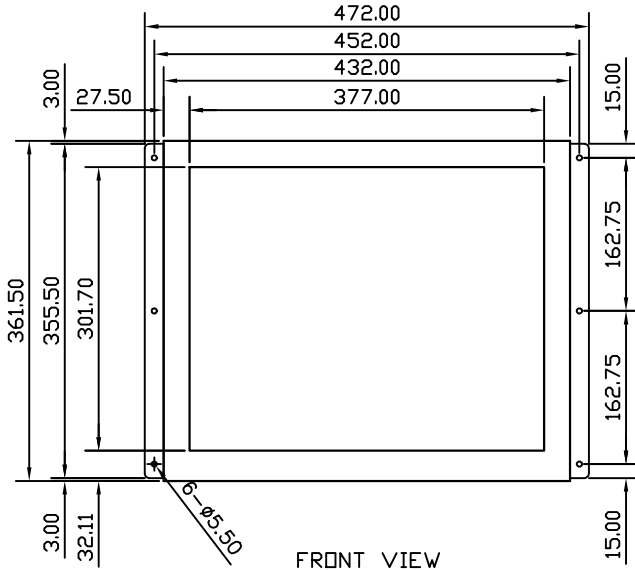
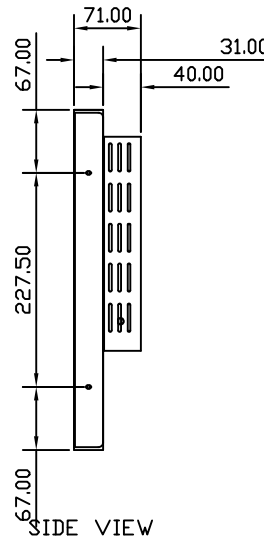


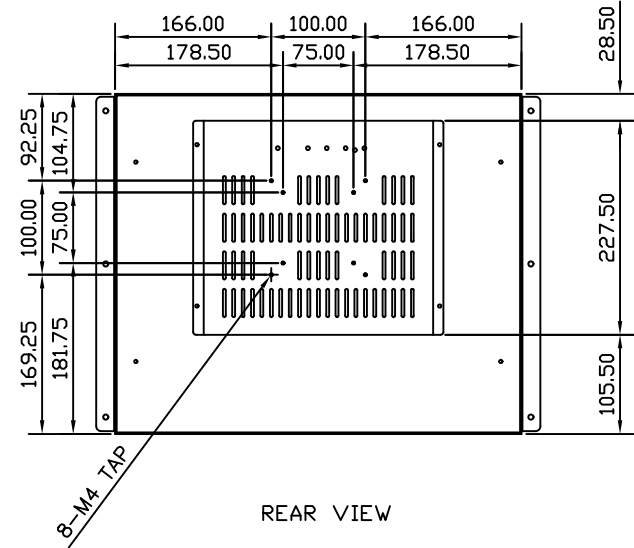
TOP VIEW



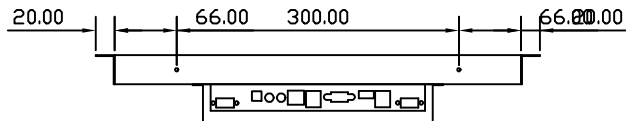
FRONT VIEW



SIDE VIEW



REAR VIEW



BOTTOM VIEW

## SPECIFICATION

DIMENSION	432mm*361.5mm*71mm
THICKNESS	
MATERIAL	STEEL
PAINTING	BLACK

CUSTOMER

						PROJECT	IDVLV2-190			
						REV.	SCALE	SHEET NO.	TITLE	IDVLV2-190 ASSY
						0	1:1	01/01	DRAWING NO.	IDVLV2-X-190-X
NO.	DATE	DESCRIPTION	DRN	CK	APPR					SIZE : A4



20240517

-

-

-

0

1:1

01/01

DRAWING NO.

IDVLV2-X-190-X

SIZE : A4