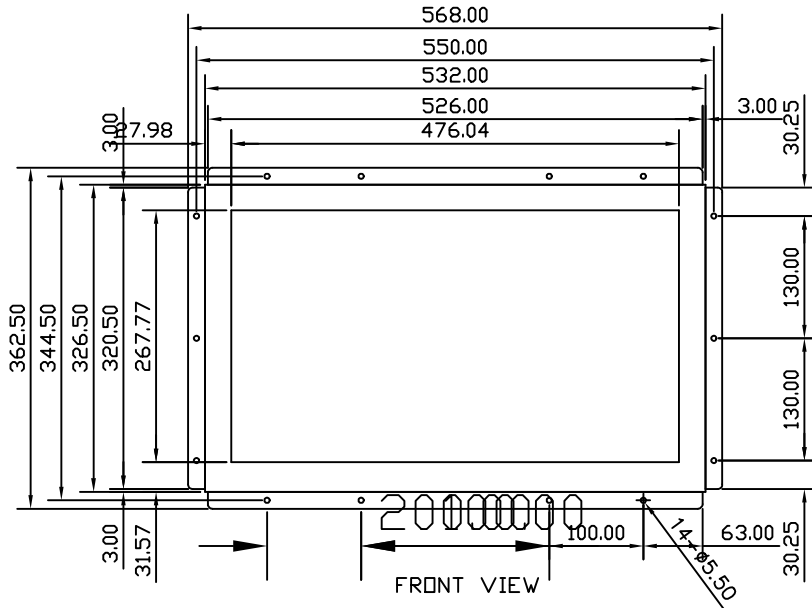
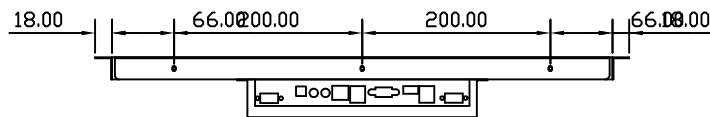


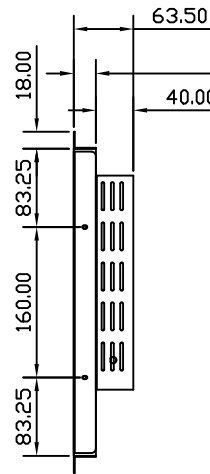
TOP VIEW



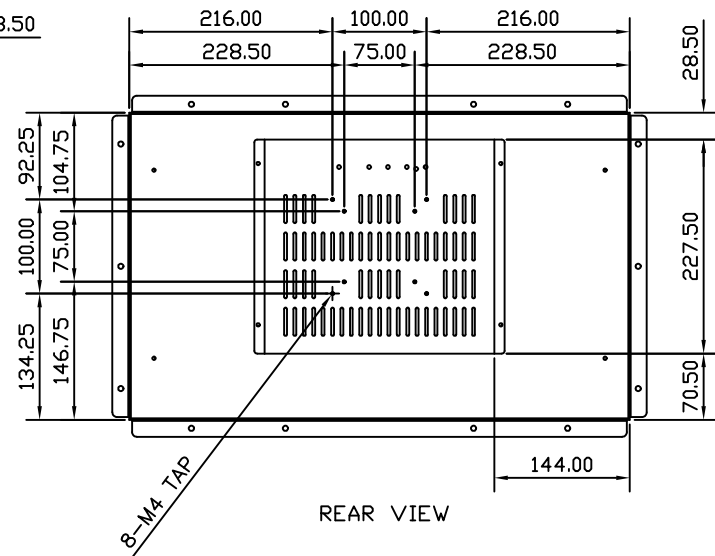
FRONT VIEW



BOTTOM VIEW



SIDE VIEW



REAR VIEW

SPECIFICATION

DIMENSION	532mm*326.5mm*63.5mm
THICKNESS	
MATERIAL	STEEL
PAINTING	BLACK

CUSTOMER



KOREA COMPUTER
& COMMUNICATION

						PROJECT IDVLV2-215					
						REV.	SCALE	SHEET NO.	TITLE	IDVLV2-215 ASSY	
						0	1:1	01/01	DRAWING NO.	IDVLV2-X-215-X	SIZE : A4
NO.	DATE	DESCRIPTION	DRN	CK	APPR						
		20240517	-	-	-						